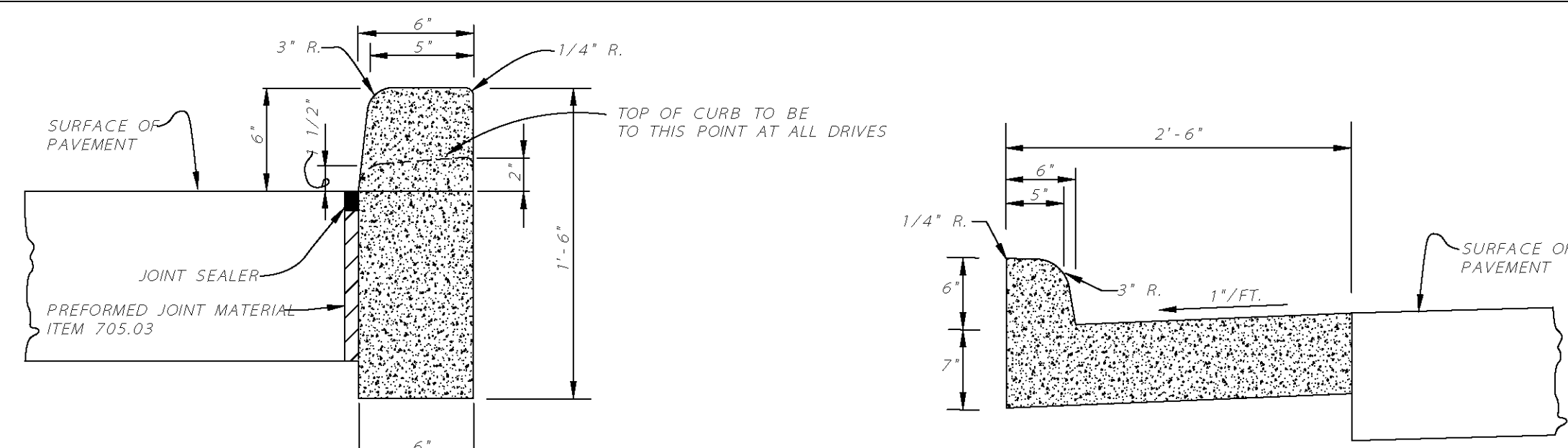


NOTE:

- ① HORIZONTAL DISTANCE OF CONNECTION TO DOWNSTREAM M.H.
- ② HORIZONTAL DISTANCE OF STORM SEWER SERVICE CONNECTION END TO DOWNSTREAM M.H. ALONG SEWER.
- ③ PERPENDICULAR DISTANCE FROM SEWER TO STORM SEWER SERVICE CONNECTION END.
- ④ ELEVATION OF STORM SEWER SERVICE CONNECTION END FLOW LINE.

**STORM SEWER SERVICE CONNECTION LOCATION REFERENCE**

NO SCALE

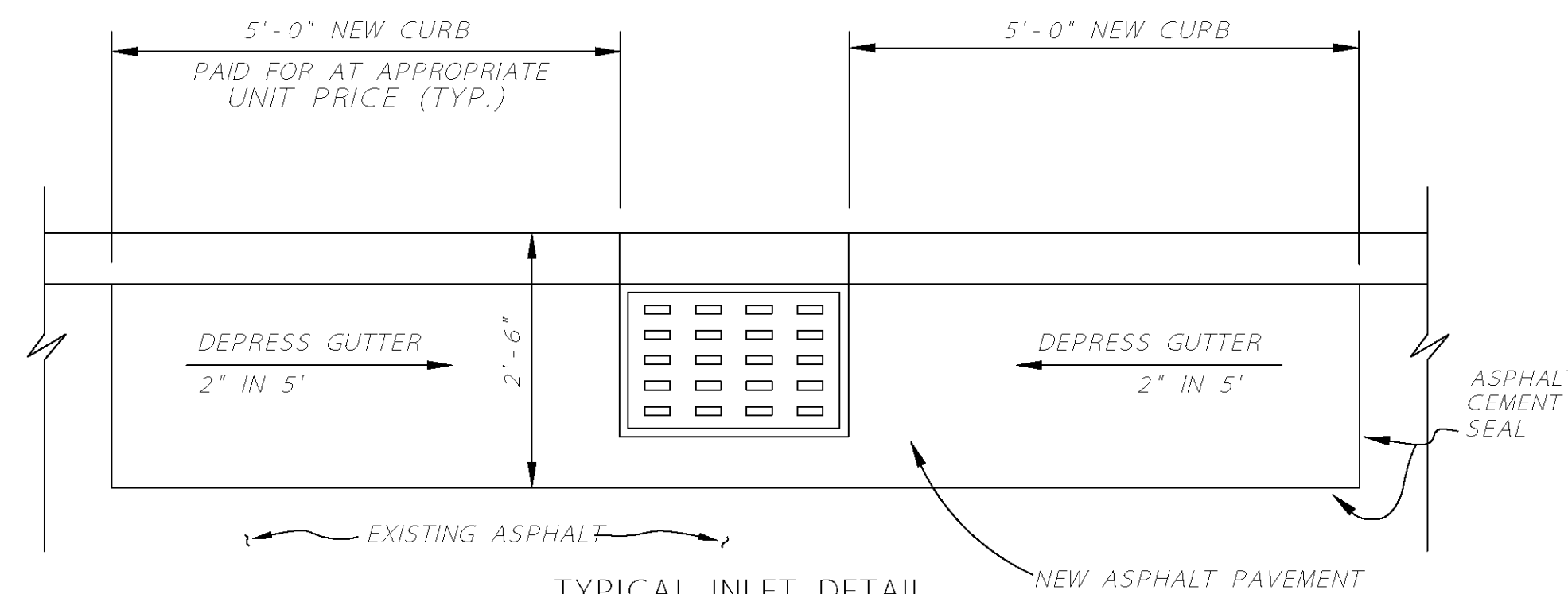


**ODOT TYPE 6 CURB REPLACEMENT**

NO SCALE

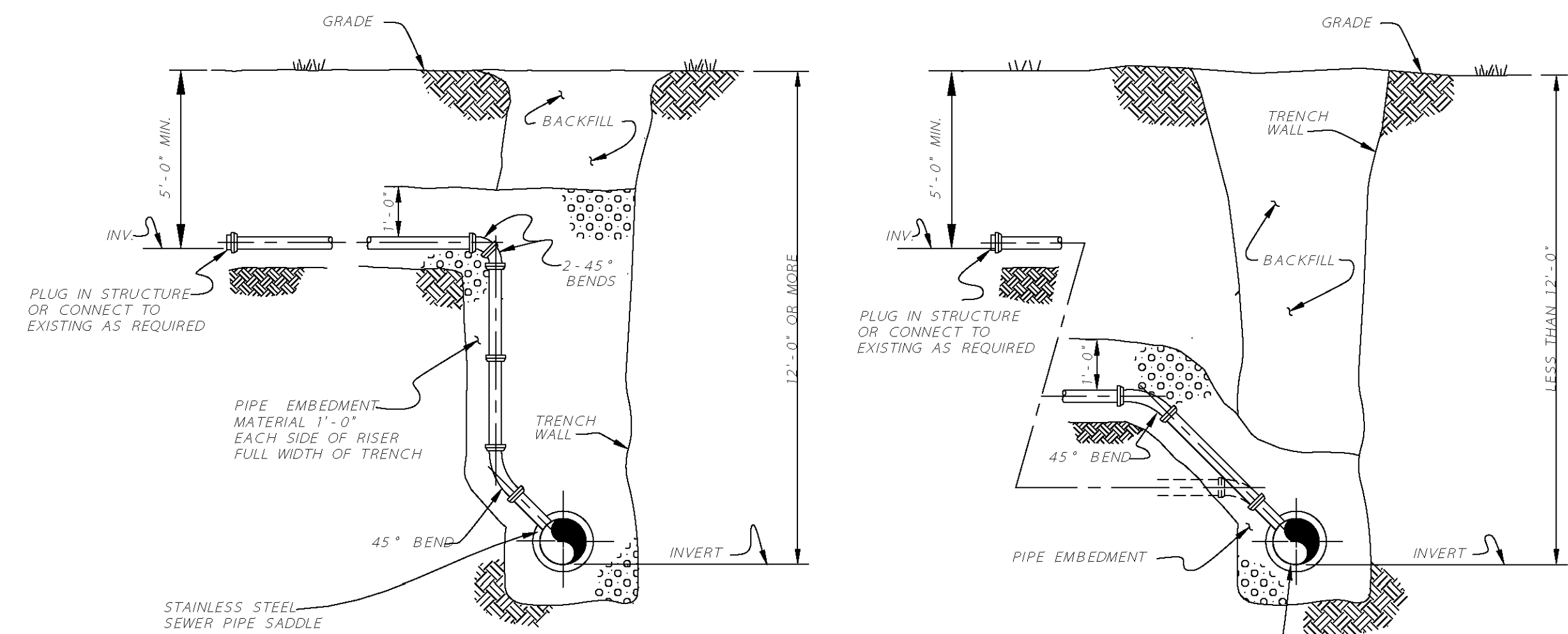
**ODOT TYPE 2 COMBINATION CURB**

NO SCALE



**TYPICAL INLET DETAIL WITH DEPRESSED GRATE**

NO SCALE

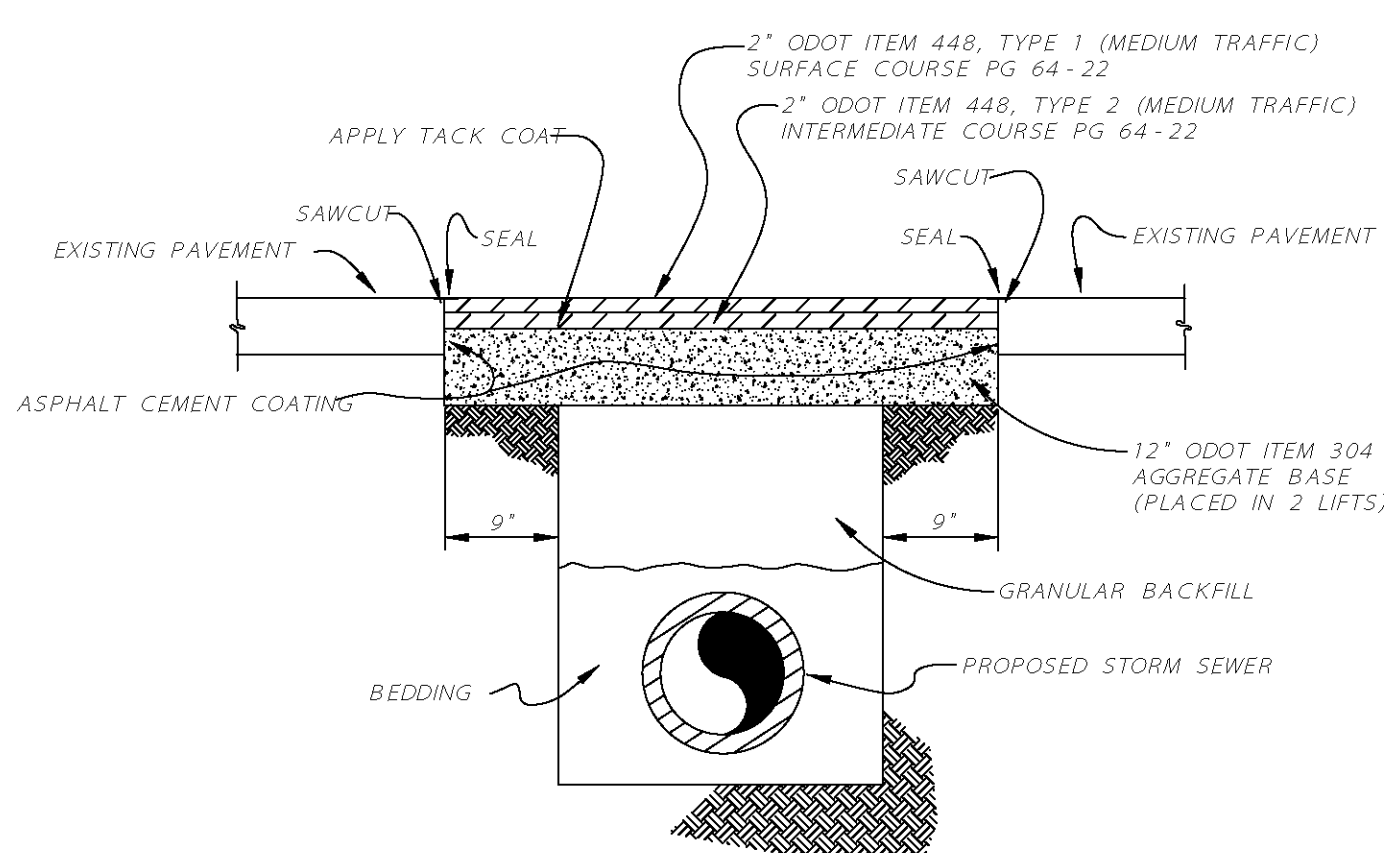


**SECTION RISERS WHERE DEPTH OF MAIN SEWER EXCEEDS 12'-0"**

**SECTION CONNECTION WHERE DEPTH OF MAIN SEWER IS LESS THAN 12'-0"**

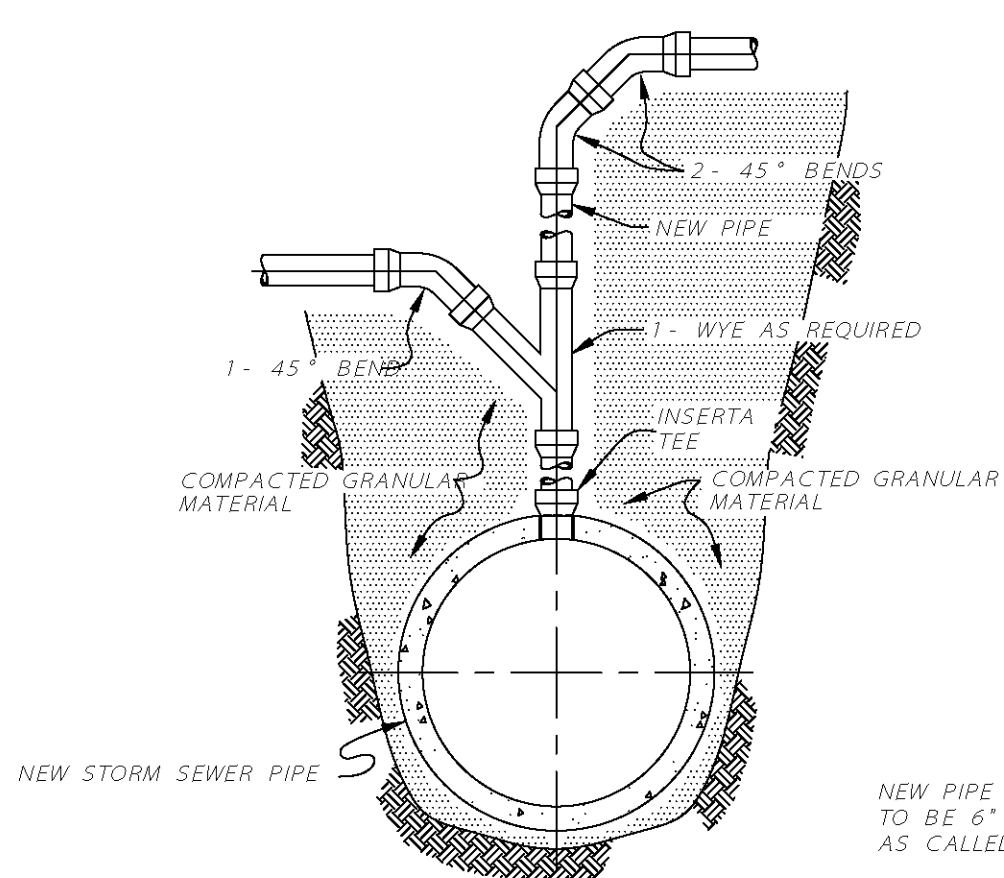
**STORM SEWER SERVICE CONNECTIONS OF STORM SEWERS 48" AND LESS**

NO SCALE



**SECTION PERPENDICULAR STREET OPENING REPAIR DETAILS**

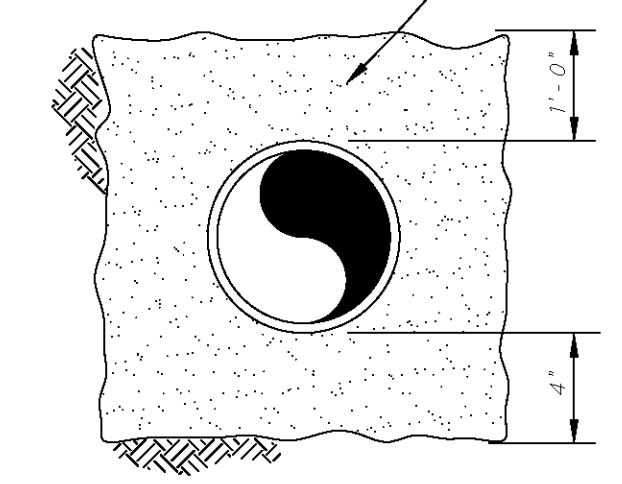
NO SCALE



**CONNECTION TO STORM SEWERS GREATER THAN 48" DIAMETER**

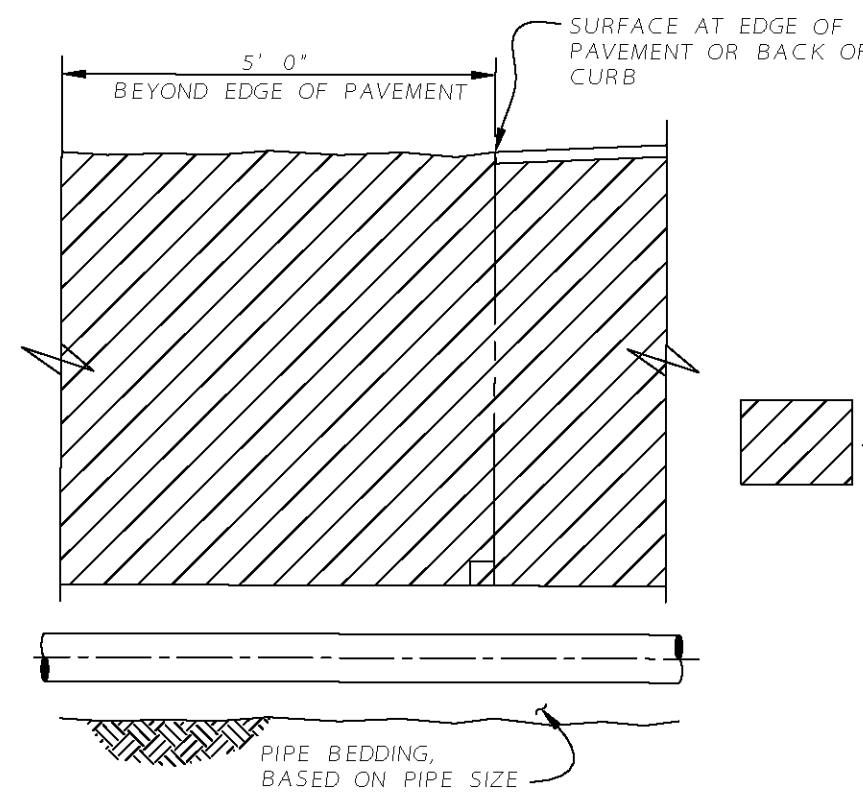
NO SCALE

#57 LIMESTONE CONFORMING TO TABLE 703-1, OR #411 OF THE STATE OF OHIO DEPT. OF TRANSPORTATION SPECIFICATIONS

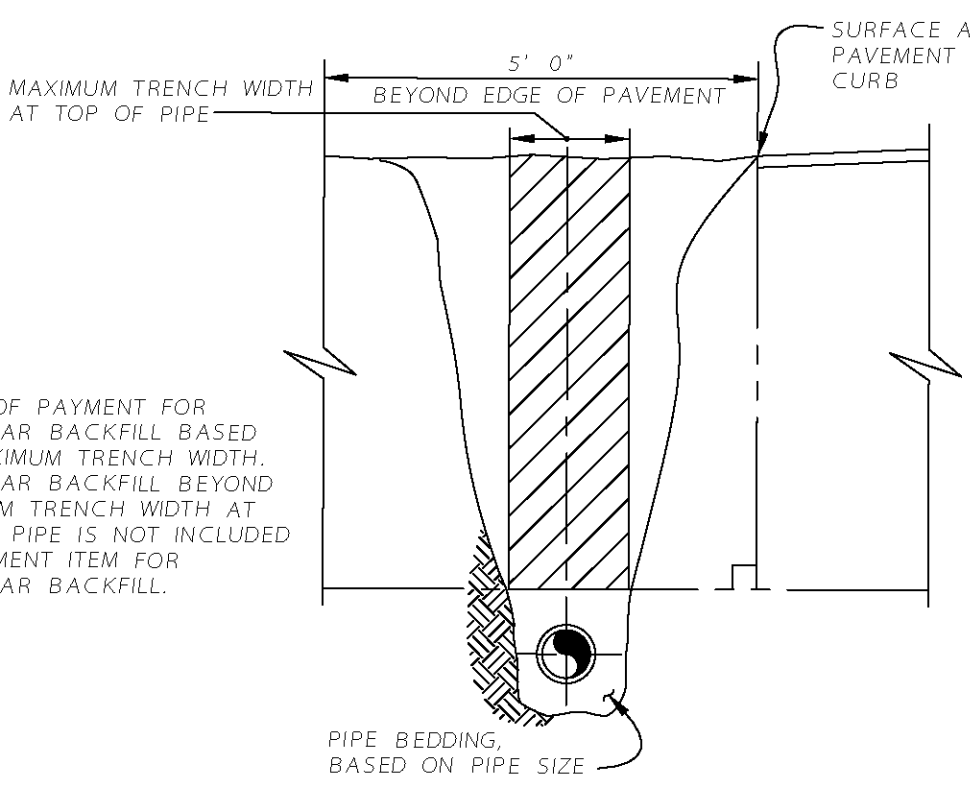


**BEDDING DETAIL FOR PIPE SEWERS**

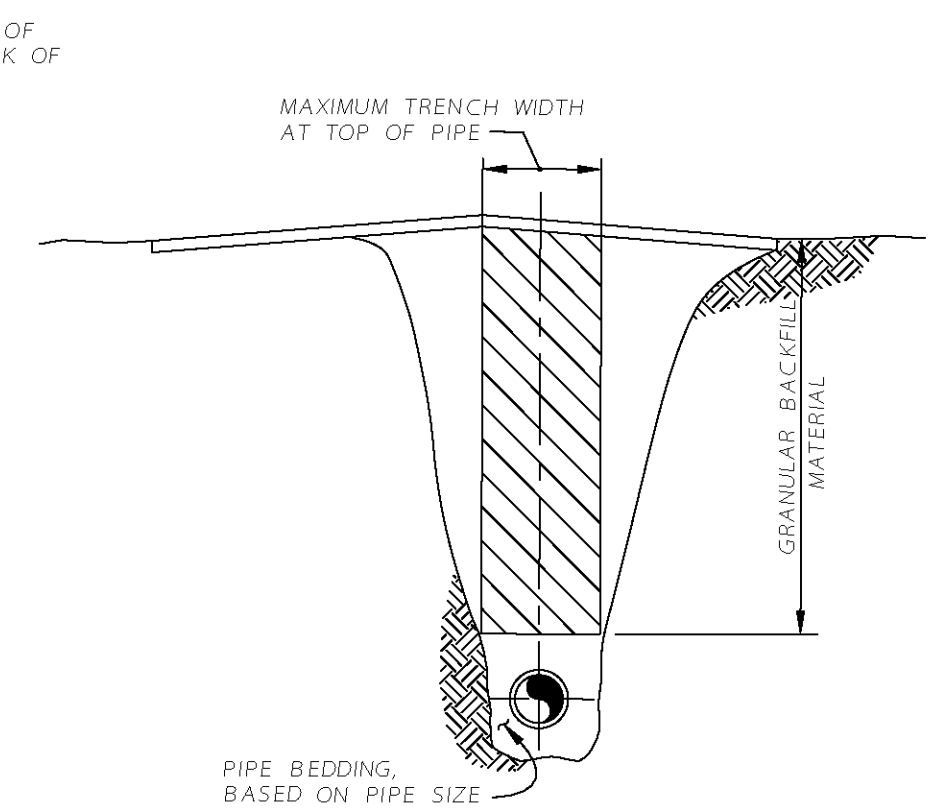
NO SCALE



**CROSSING PAVEMENT WITHIN MAXIMUM TRENCH WIDTH**



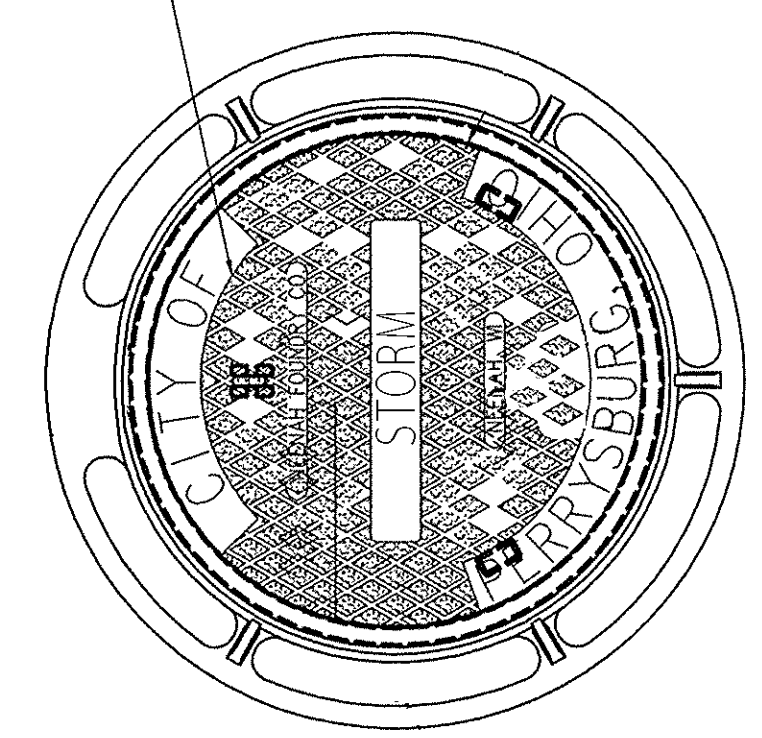
**PARALLEL PAVEMENT WITHIN MAXIMUM TRENCH WIDTH**



**INSIDE PAVEMENT**

NO SCALE

2" HIGH RAISED LETTERS FLUSH W/ TOP SURFACE OF LID.



**MANHOLE COVER**

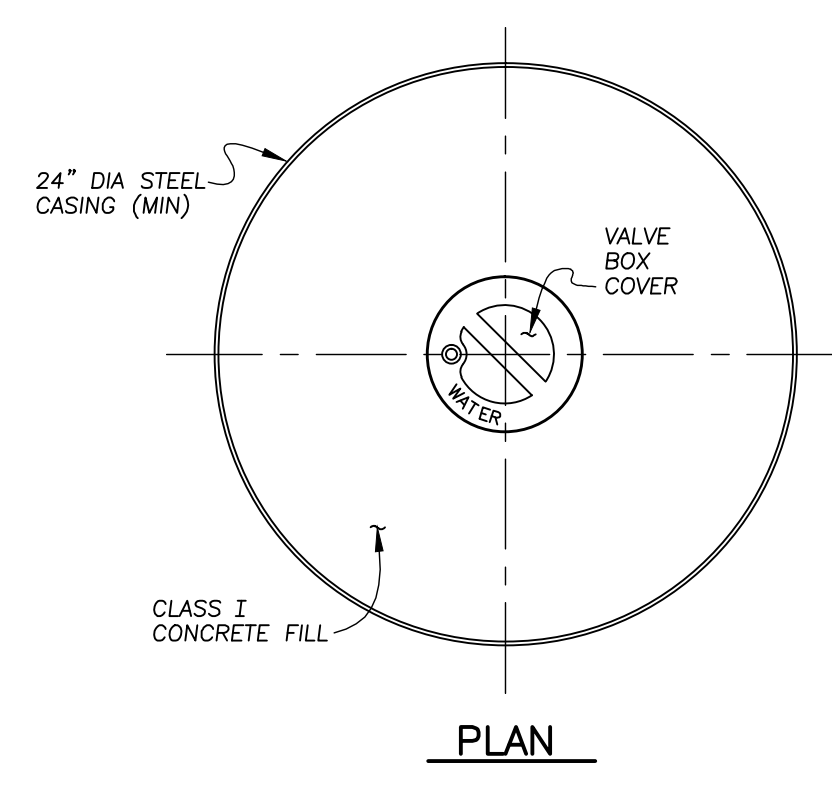
NO SCALE

EAST JORDAN IRON WORKS, INC., CATALOGUE 1040 WITH SOLID LID TYPE B OR AS APPROVED; MACHINED SURFACE, FRAME WITH 24 INCH DIAMETER CLEAR OPENING AND 7 INCH HEIGHT. LIDS TO HAVE "CITY OF PERRYSBURG, OH" - "STORM" CAST INTO TOP.

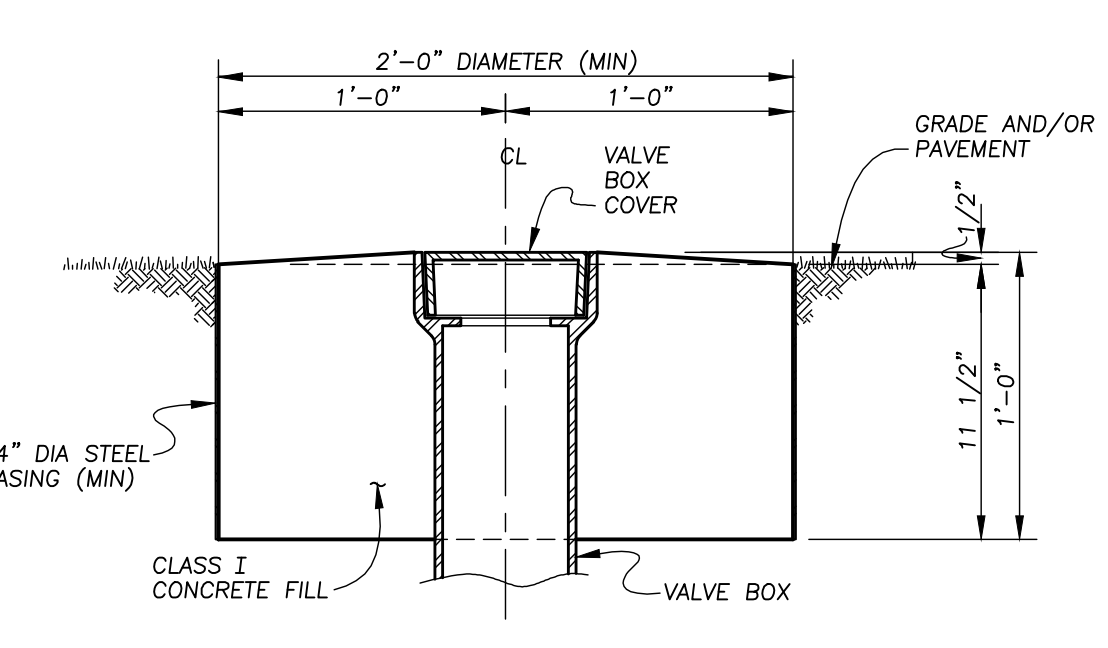
REVISED
DECEMBER 2015

**PAVEMENT AND STORM SEWER STANDARD DETAILS**  
CITY OF PERRYSBURG, OHIO  
DEPARTMENT OF PUBLIC SERVICE  
DIVISION OF WATER POLLUTION CONTROL

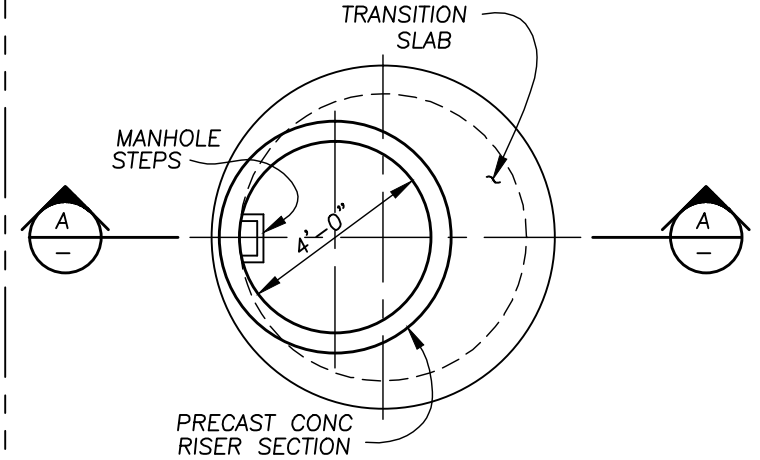
T00002883.B001A.PERS1M01



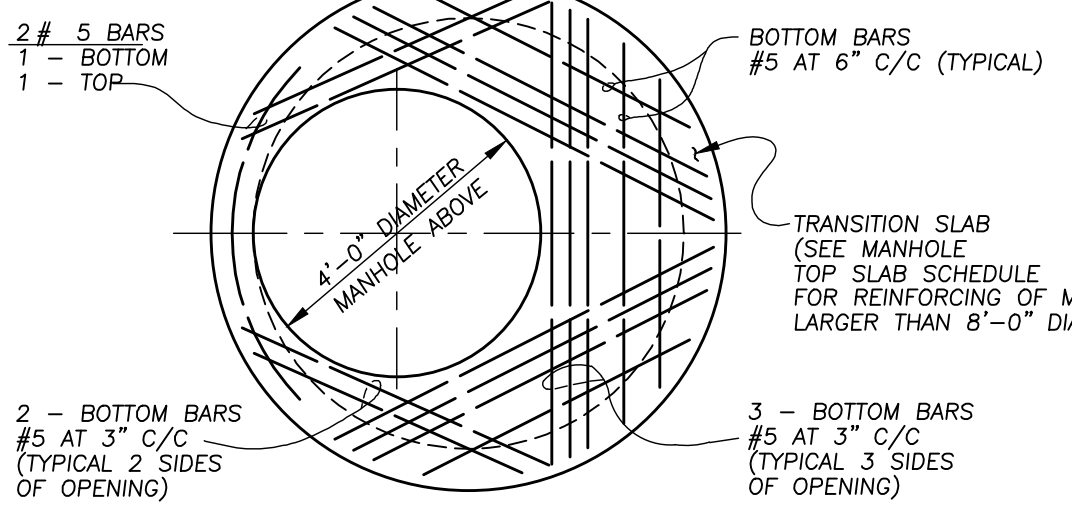
PLAN



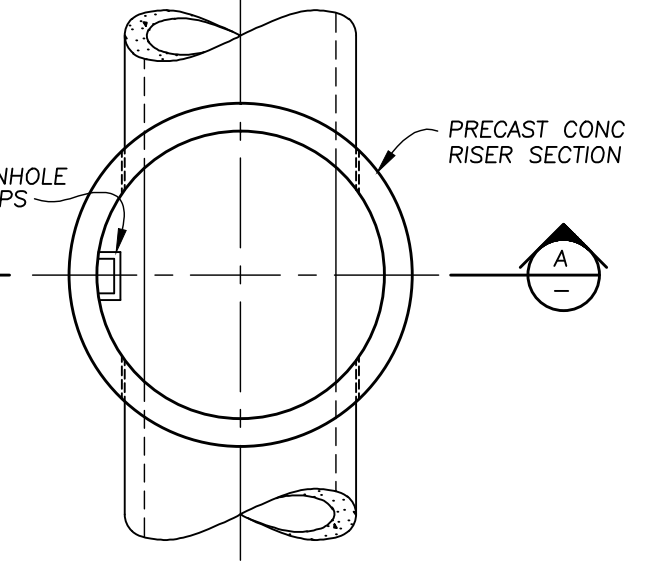
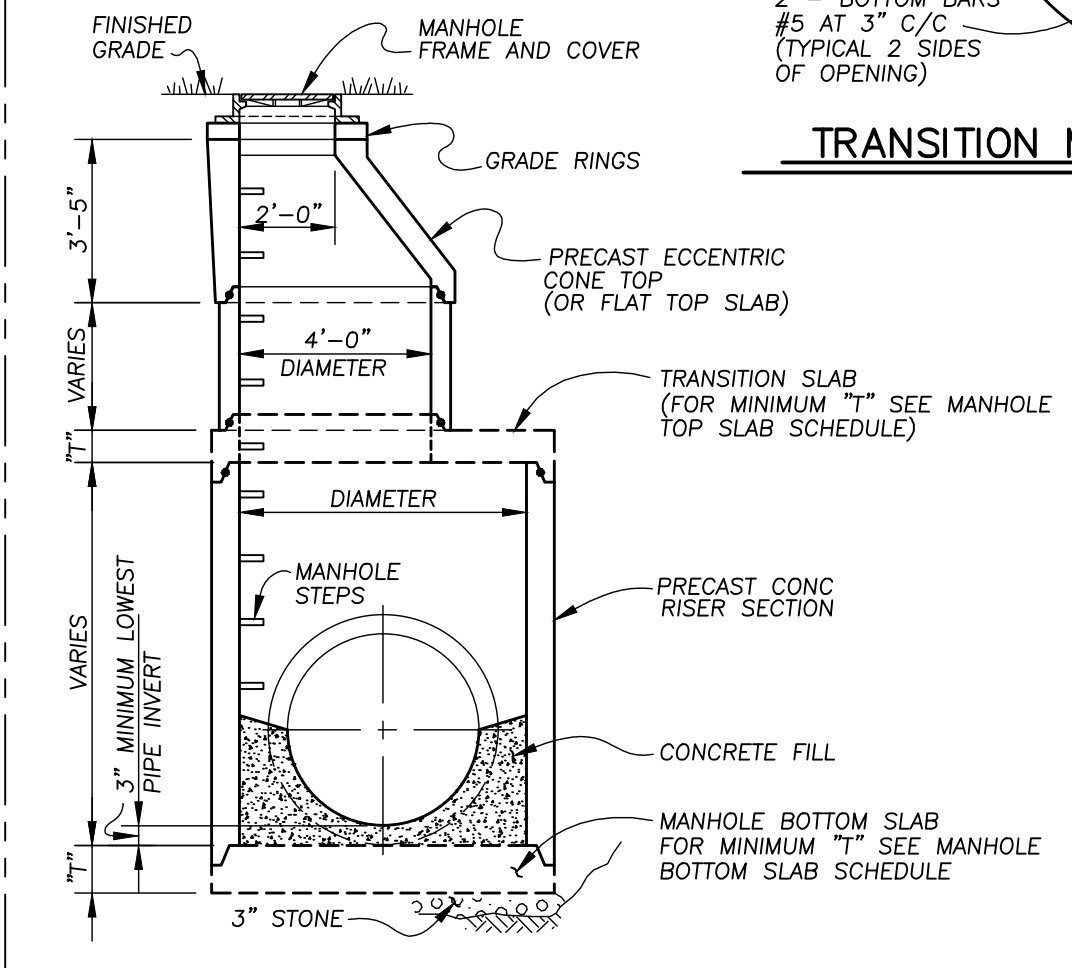
SECTION  
WATER VALVE BOX  
ENCASEMENT DETAIL



SECTIONAL PLAN  
(TOP MANHOLE)

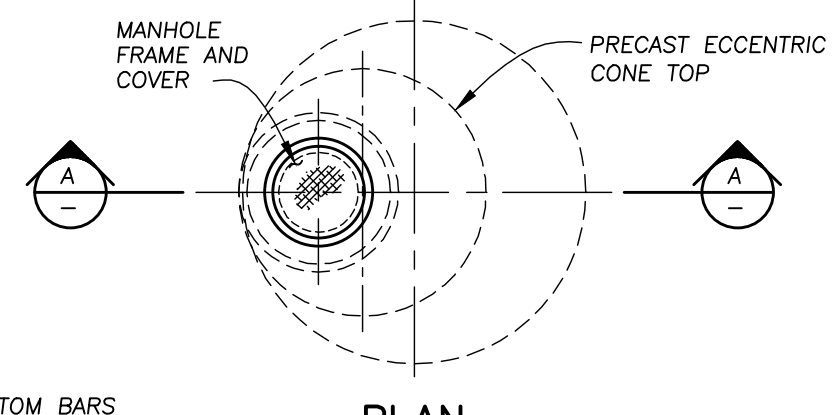


TRANSITION MANHOLE TOP SLAB PLAN

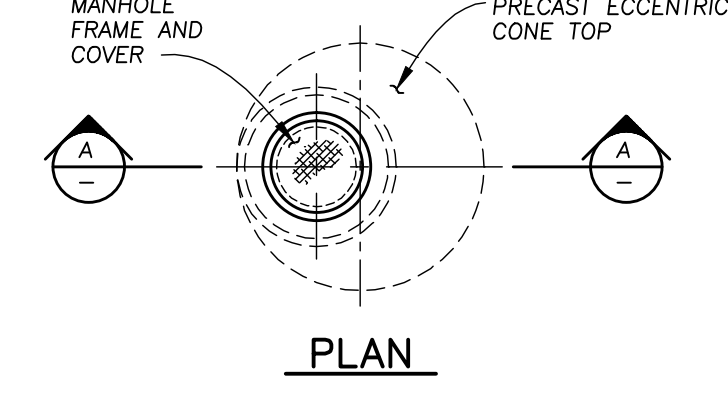
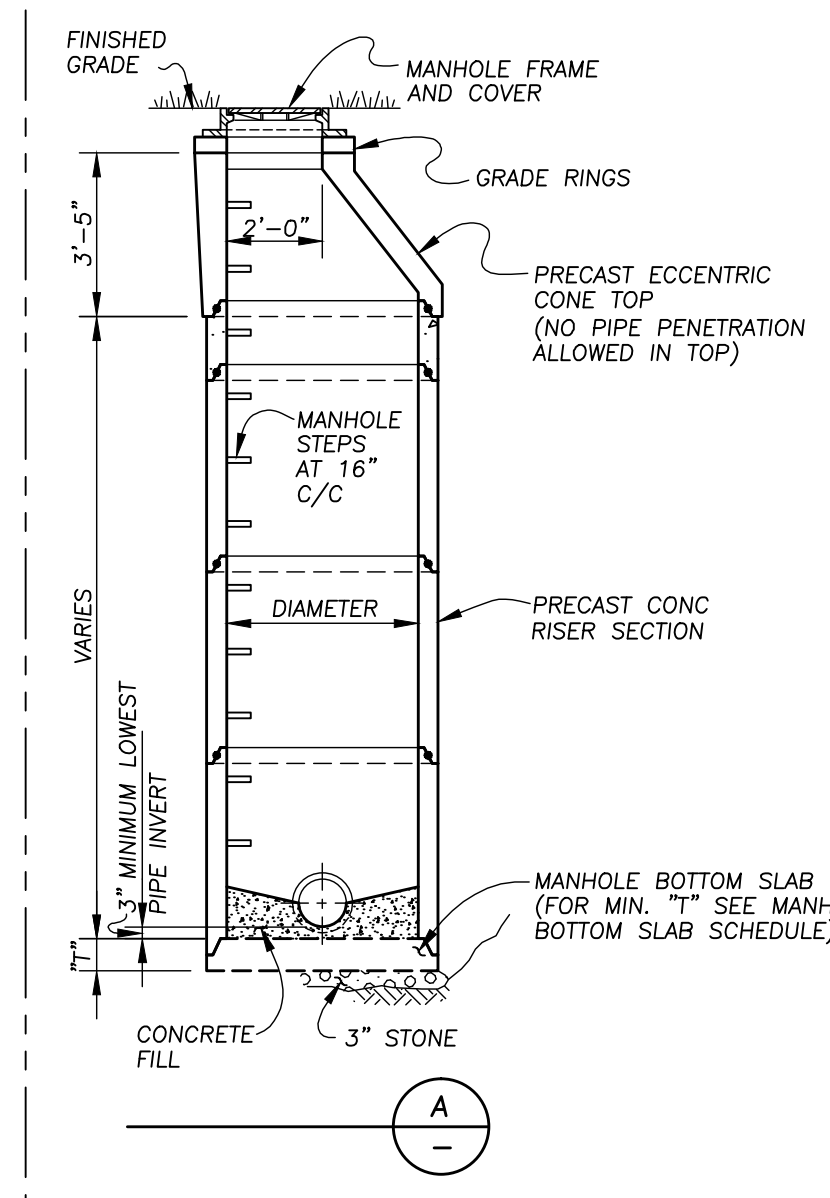


SECTIONAL PLAN  
(BOTTOM TRANSITION  
MANHOLE)

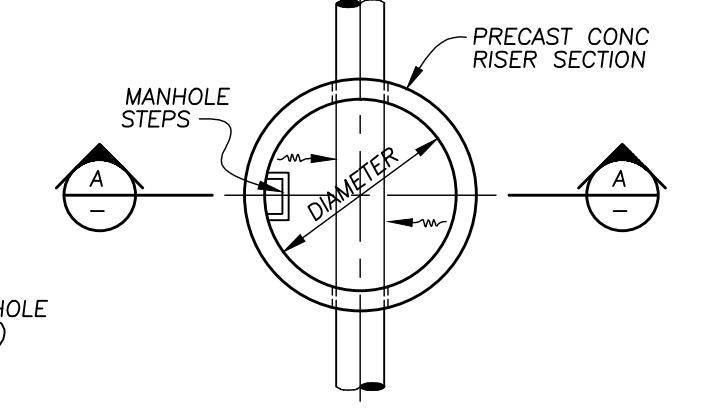
TRANSITION MANHOLE DETAILS



PLAN

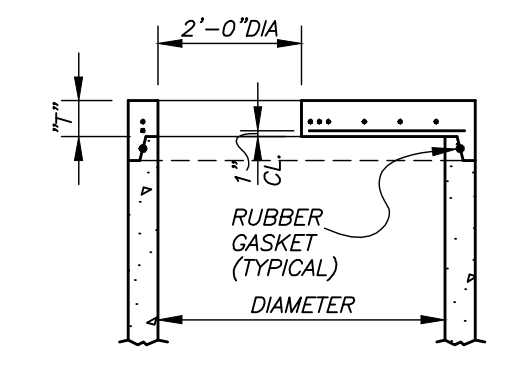


PLAN



SECTIONAL PLAN

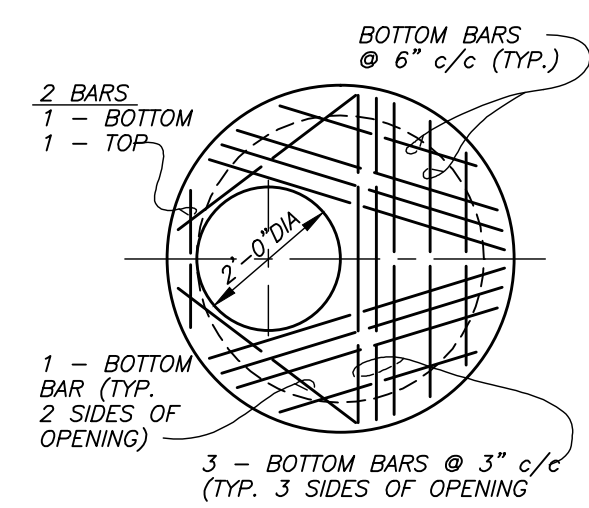
MANHOLE DETAILS



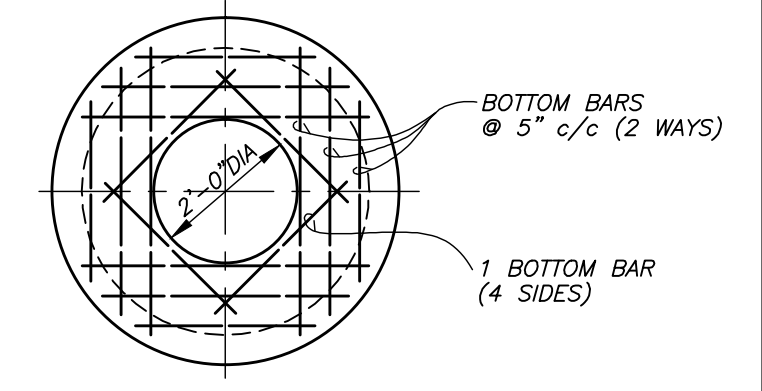
SECTION  
PRECAST  
TOP SLAB

MANHOLE TOP SLAB SCHEDULE*			
MARK	DIAMETER	MIN. "T"	REINF. BAR SIZE
	4'-0"	6"	# 4
	5'-0"	8"	# 5
	6'-0"	8"	# 5
	7'-0"	8"	# 5
	8'-0"	10"	# 5
	10'-0"	10"	# 5

\* IF DISTANCE FROM TOP OF FRAME TO TOP OF PIPE PENETRATION IS GREATER THAN 4'-4", A PRECAST ECCENTRIC CONE TOP MUST BE USED.

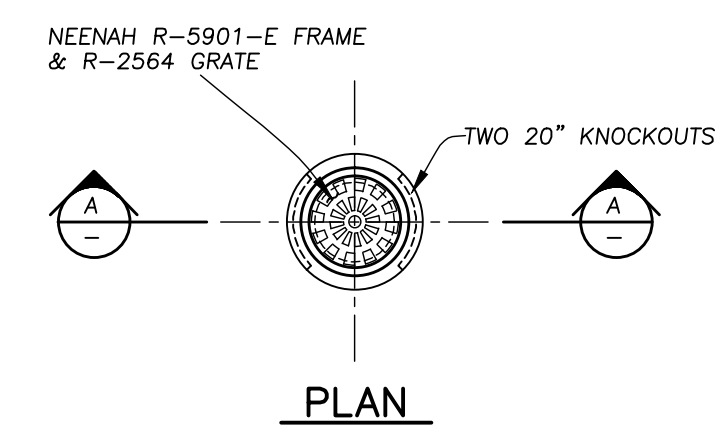


PLAN

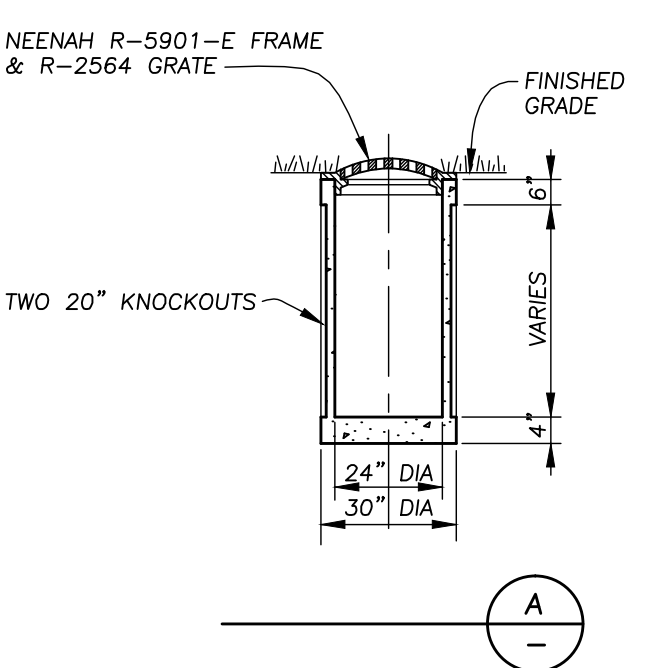


PLAN

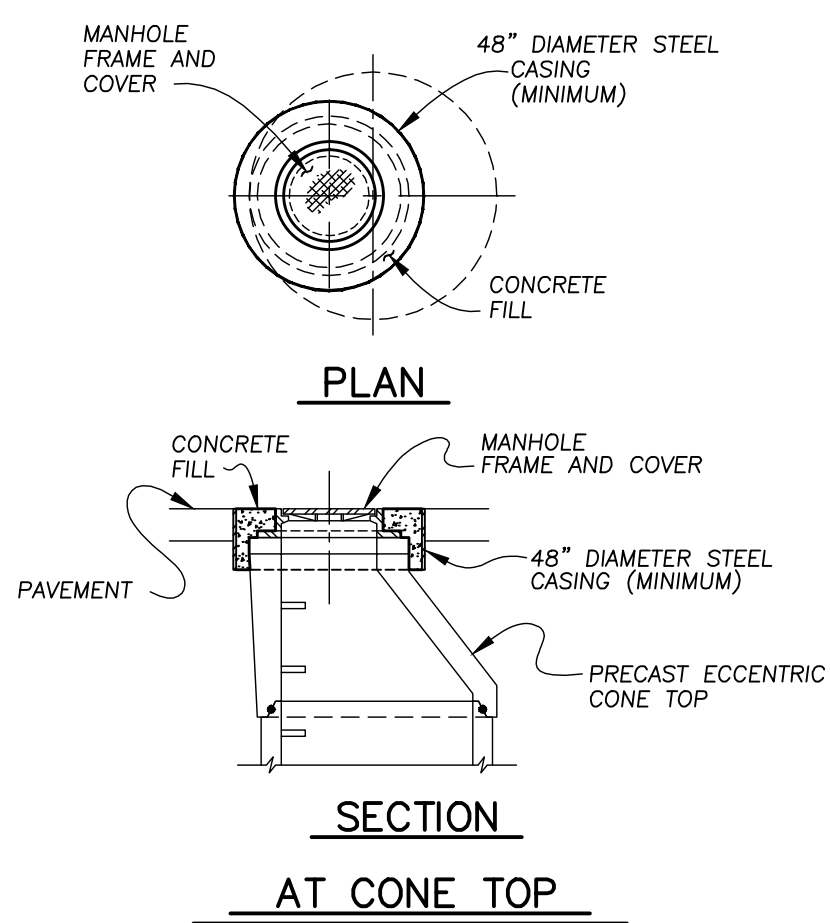
MANHOLE TOP SLAB DETAILS



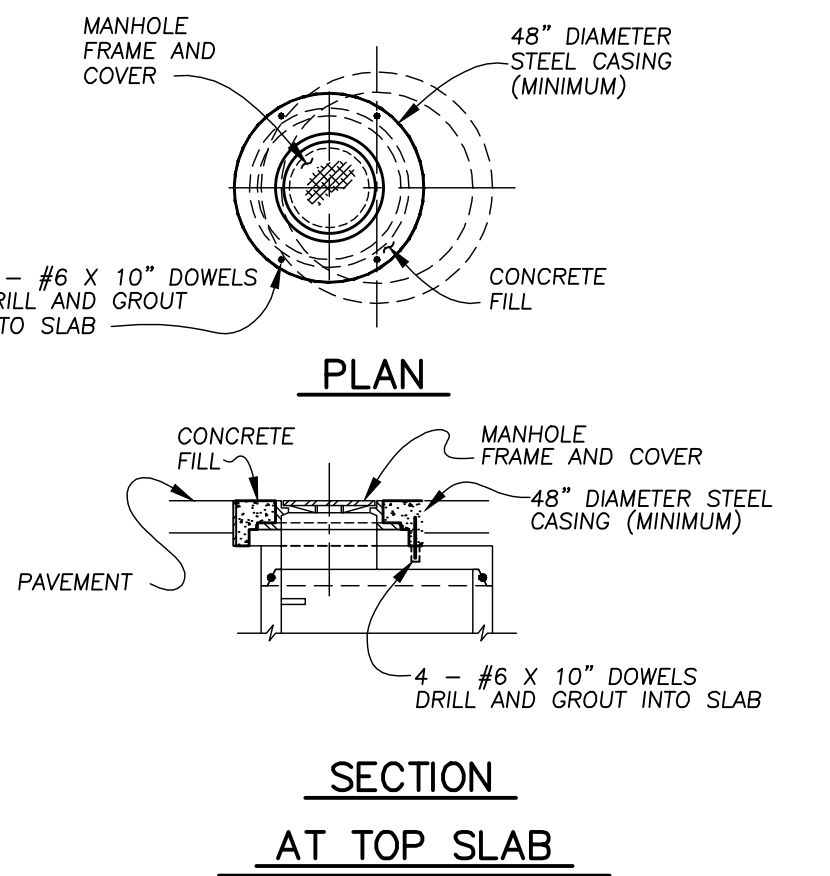
PLAN



24" DIA REAR LAWN CATCH BASIN

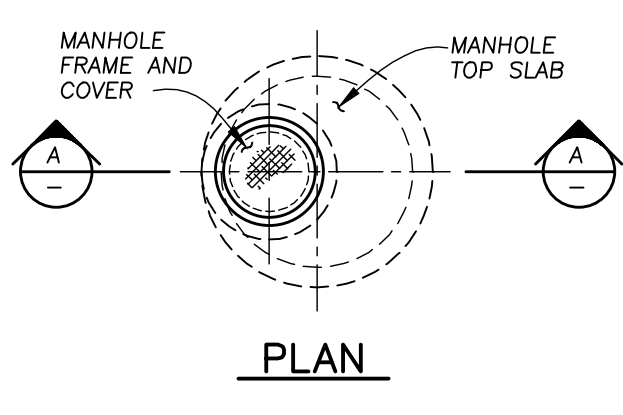


SECTION  
AT CONE TOP

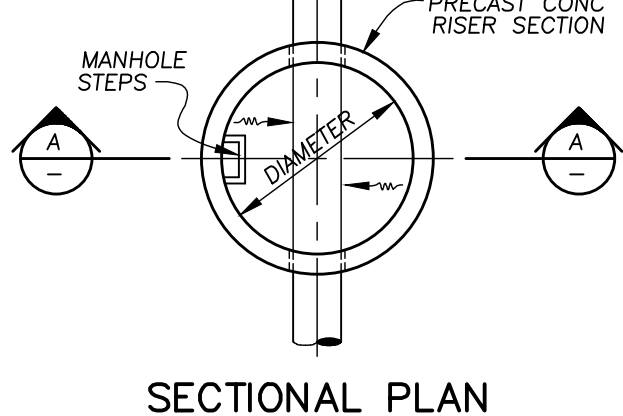


SECTION  
AT TOP SLAB

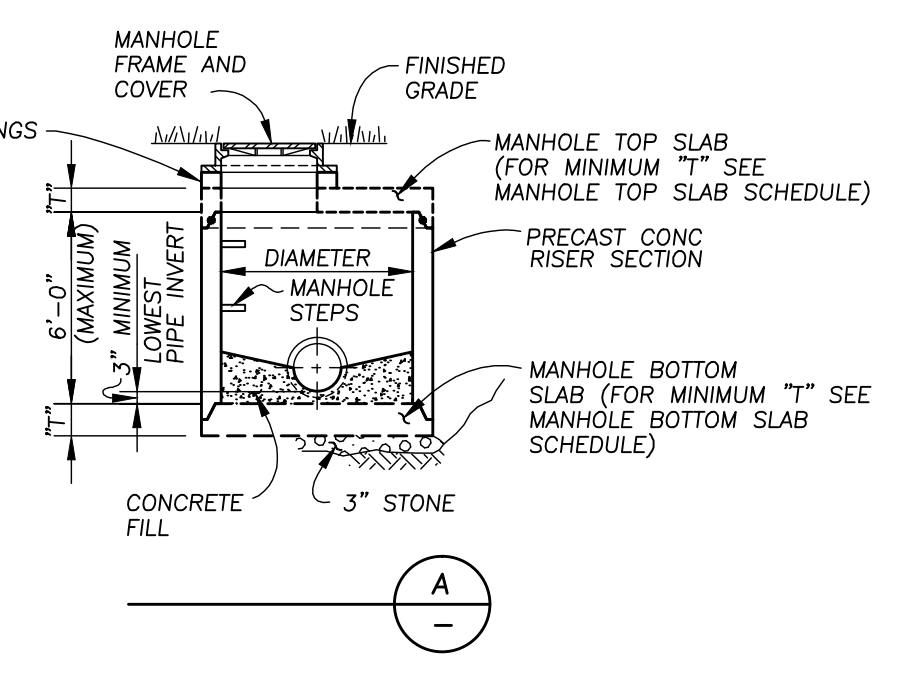
MANHOLE FRAME ENCASEMENT DETAILS



PLAN

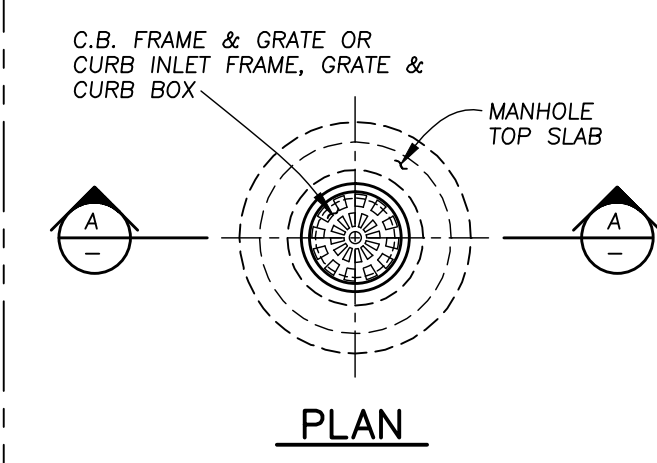


SECTIONAL PLAN

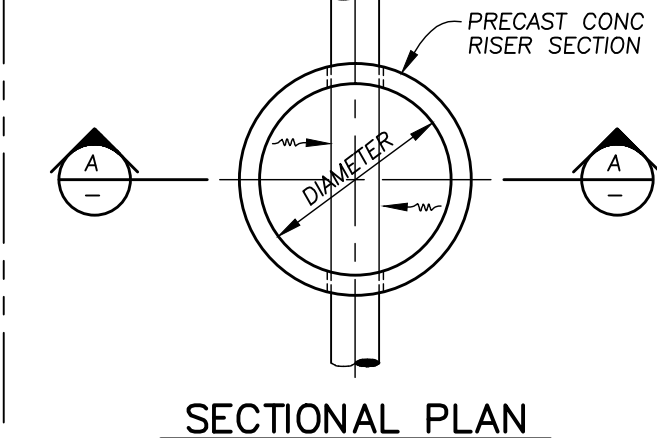


SECTIONAL PLAN

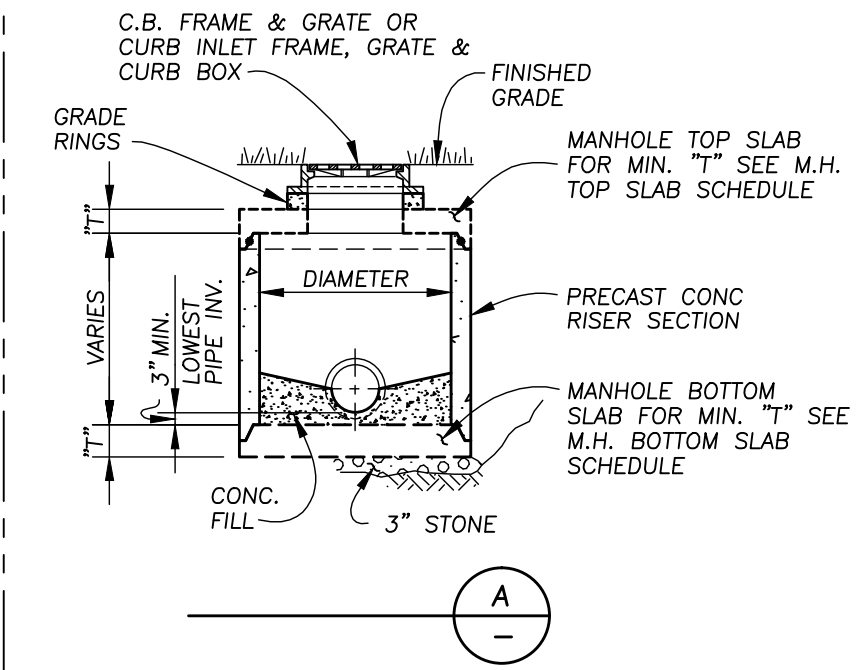
SHALLOW MANHOLE DETAILS



PLAN



SECTIONAL PLAN



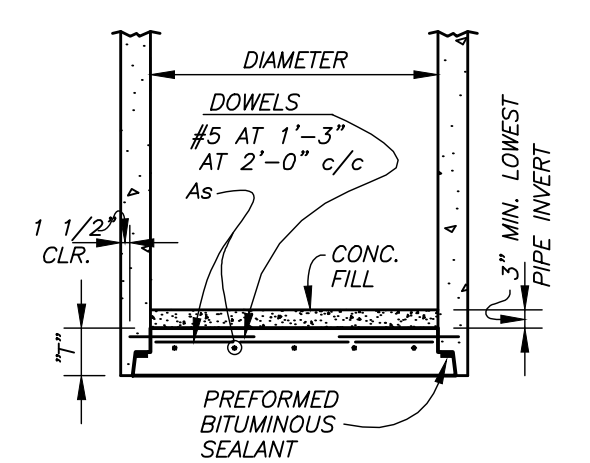
CATCH BASIN DETAILS

MANHOLE BOTTOM SLAB SCHEDULE			
MARK	DIAM.	MIN. "T"	MIN. "E"
	4'-0"	8"	4"
	5'-0"	8"	6"
	6'-0"	10"	6"
	7'-0"	10"	8"
	8'-0"	10"	10"
	10'-0"	10"	10"

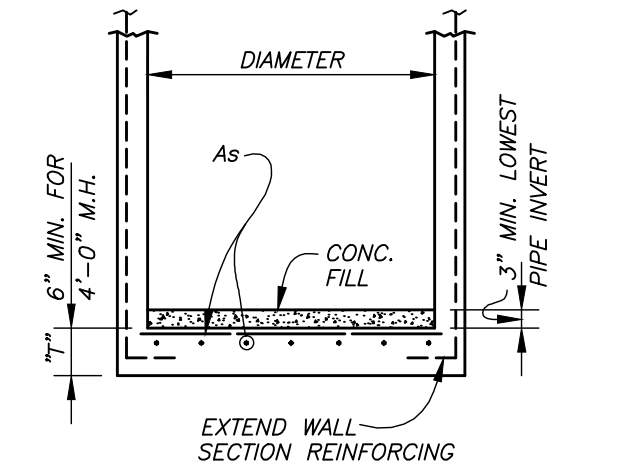
NOTE: PLACE BOTTOM SLAB STEEL REINFORCEMENT IN TOP OF SLAB WITH 1 1/2" CONCRETE COVER.

CATCH BASIN SCHEDULE		
MARK	DIAMETER	REMARKS
	4'-0"	SEE M.H. TOP AND BOTTOM SLAB DETAILS ON THIS SHEET

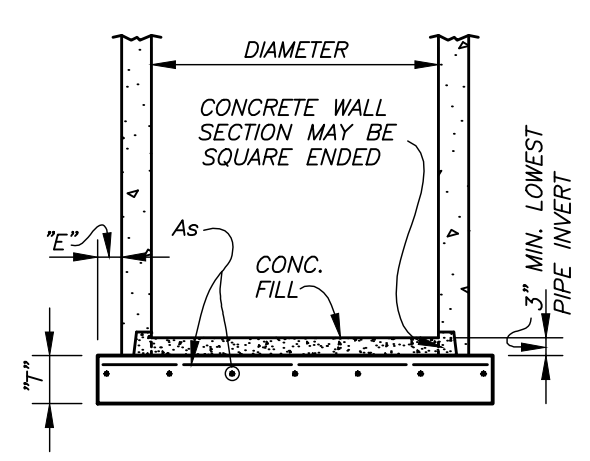
- NOTES:  
 1. TOP ELEVATIONS NOTED ON PLANS FOR CATCH BASINS IN CURB IS TOP OF GRATE AT FACE OF CURB.  
 2. PROVIDE M.H. STEPS @ 16" c/c IN CATCH BASINS OVER 4' DEEP.



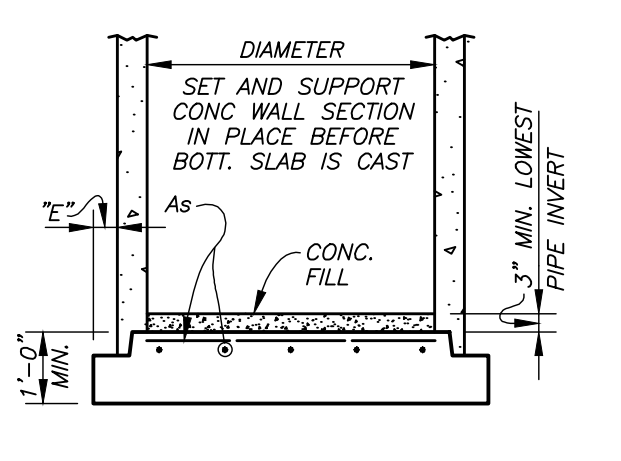
SECTION  
INTEGRAL PRECAST  
BOTTOM SLAB AND  
BOTTOM RISER  
(CAST IN SEPARATE  
OPERATIONS)



SECTION  
MONOLITHIC BOTTOM SLAB  
AND BOTTOM RISER



SECTION  
PRECAST OR CAST IN  
PLACE BOTTOM SLAB



SECTION  
CAST IN PLACE  
CONC. BOTTOM SLAB

MANHOLE BOTTOM SLAB DETAILS